



FS5030 (Soaking Tub)

FW5030 (Whirlpool Unit)

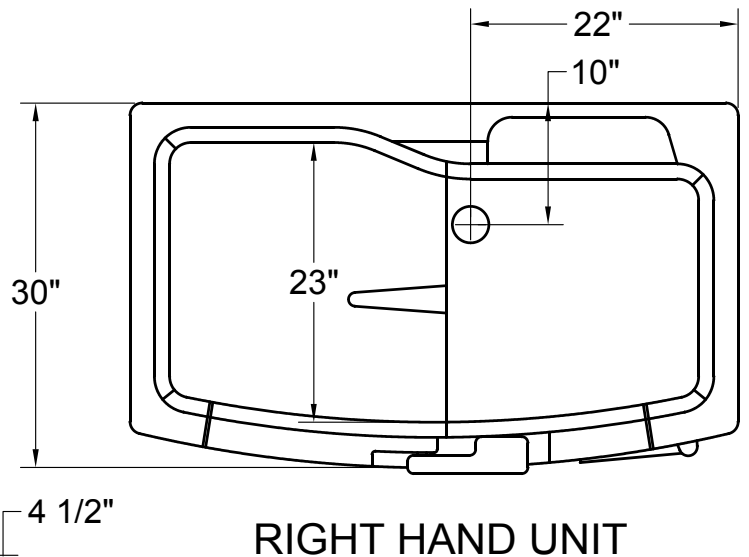
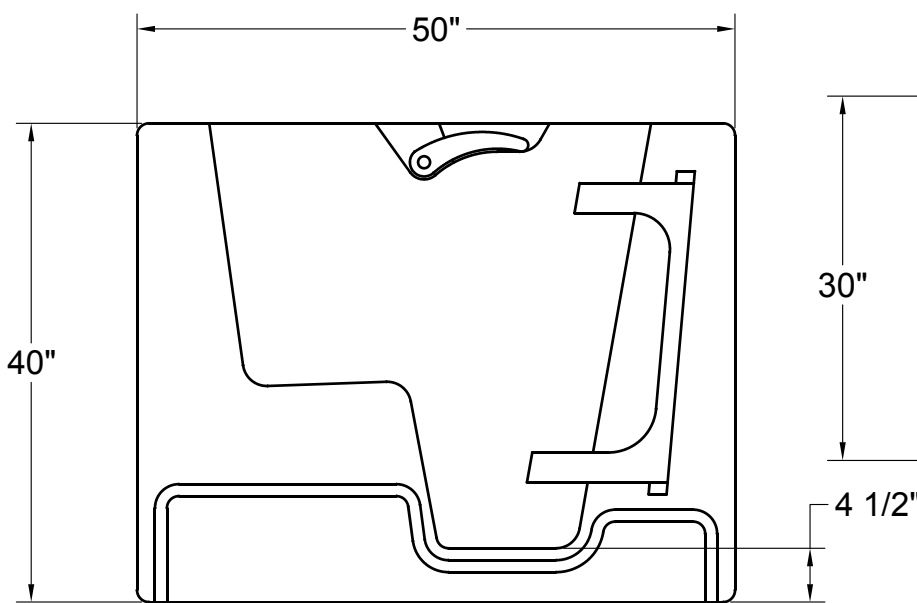
FA5030 (Thermal Air Unit)

FC5030 (Whirlpool & Air Unit)

FM5330 (Micro Air Unit)

FAM5330 (Micro Air & Thermal Air Unit)

FWM5330 (Whirlpool & Micro Air Unit)
(Right and Left Hand Units Available)



Standard Equipment Specifications

- Seat Height 15"
- Maximum Water Depth 31-1/2"
- Operating Capacity Min: 45g Max: 85g
- 5 Year Limited Warranty
- Lifetime Door Seal Warranty
- Measurements Are For Reference Only
(Actual Measurements Should Be Taken From The Unit Itself)

Electrical Equipment Specifications

- FW / FA / FM / FAM / FWM Require One (120V/20A GFCI)
- FC Requires Two (120V/20A GFCI)

Whirlpool Specifications

- Whirlpool 10 Jet 1 HP Pump
- Constaheat Electric In-Line Heater 1.5KW

Thermal Air Massage Specifications

- Thermal Air Massage 16 Air Jets
- 1HP Air Blower

Micro Air Specifications

- Micro Air 13.5 Amp Motor